

IRWIN®



ENGINEERED FOR CONTROLLED PRECISION AND SPEED

The IRWIN® line of metal drill bits offers of a solution for every professional application. Each metal drill bit is made of high speed steel with high precision-cut point and spiral, ensuring durability and quality.

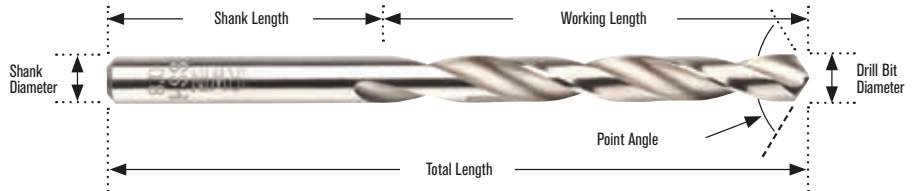
TOTAL LENGTH: The length from the point to the end of the drill bit

POINT ANGLE: The angle of the cutting edges

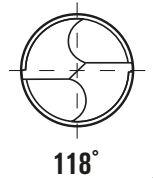
DRILL DIAMETER: The cutting diameter of the drill bit

SHANK LENGTH: The end of the drill bit that is secured by the drill

WORKING LENGTH: The length from the point to the end of the flutes



TIP GEOMETRY



118°



118° STANDARD POINT

- For drilling in alloyed and non-alloyed steels, non-ferrous metals, cast iron and hard plastics
- Can be easily resharpened
- Requires higher feed pressure
- Best for stationary drills

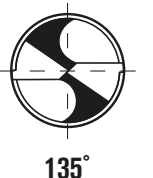


118°



118° SPLIT POINT

- For drilling in alloyed and non-alloyed steels, non-ferrous metals, cast iron and hard plastics
- Very good centering
- Requires less effort / feed pressure



135°



135° SPLIT POINT

- For drilling in high strength steel and high-alloy steels
- Very good centering
- Requires less effort / feed pressure



TURBOMAX® JET POINT

- Specially designed for portable drills
- Excellent centering, will not walk on any surface
- Precision-ground to stay sharp longer and drill faster

HSS DRILL BITS



HSS TURBOMAX



HSS TITANIUM



HSS COBALT



HSS PRO

SPECIALITY DRILL BITS



STEP DRILLS



TCT

TURBOMAX™ HSS



140° CUTTING SHOULDER FOR SMOOTH FINISH

100° TIP FOR FASTEST START

ROBUST REINFORCED WEB DESIGN

W9 HIGH SPEED STEEL (HSS)

HARDENING

GROUND FLUTE

3-FLATTED SHANK

DESIGNED FOR HIGH PERFORMANCE DRILLING

Turbomax™ is designed primarily for high performance drilling in sheet metal, however, also performs well in all types of wood and plastic. Suitable for drilling stainless steel however, HSS Cobalt products (p.114) are designed specifically for this purpose. Remember to always use a coolant when drilling stainless steel.

- 1. 100° TIP FOR FASTEST START**
Most precise centering and guidance
No walking, including curved surfaces
No centre punch necessary
- 2. 140° CUTTING SHOULDER FOR SMOOTH FINISH**
Drills perfectly round holes with clean exit holes - minimised burrs
Will not bind in multiple layers of thin material
- 3. GROUND FLUTE**
Ground from solid for high accuracy drilling and fast removal of chips
- 4. ROBUST REINFORCED WEB DESIGN**
For added strength and durability - no breakage
- 5. W9 HIGH SPEED STEEL (HSS)**
For sharper cutting lips and superb heat resistance
- 6. HARDENING**
Superb wear resistance. Hardness of 63-66 HRC
- 7. 3-FLATTED SHANK**
Prevents slipping in chuck
No damaging of the drill due to slipping
Safe and strong clamping, especially when using keyless chucks

JET POINT – REVOLUTIONARY TIP DESIGN
Self centering, will not walk on any surfaces



TURBOMAX™ HSS DRILL BITS

ITEM NO.	DIAMETER mm	WORKING LENGTH mm	TOTAL LENGTH mm	PIECE PER PACK	EAN	MASTER PACK	SHELF PACK	LP Ex VAT £ / ITEM	RRP Inc VAT £ / ITEM	DISC CODE
10502202	1.0	12	34	2	5709131232889	50	10	3.14	3.77	PTA B
10502203	1.5	18	40	2	5709131232902	50	10	3.14	3.77	
10502204	2.0	24	49	2	5709131232926	50	10	3.14	3.77	
10502205	2.5	30	57	2	5709131232940	50	10	3.23	3.88	
10502206	3.0	33	61	1	5709131232964	50	10	2.14	2.57	
10502207	3.1	36	65	1	5709131232988	50	10	2.24	2.69	
10502208	3.2	36	65	1	5709131233008	50	10	2.34	2.81	
10502209	3.3	36	65	1	5709131233046	50	10	2.34	2.81	
10502210	3.5	39	70	1	5709131233060	50	10	2.46	2.95	
10502211	4.0	43	75	1	5709131233084	50	10	2.61	3.13	
10502212	4.1	43	75	1	5709131233107	50	10	2.62	3.14	
10502213	4.2	43	75	1	5709131233121	50	10	2.65	3.18	
10502214	4.3	47	75	1	5709131233541	50	10	2.71	3.25	
10502215	4.5	47	80	1	5709131233145	50	10	2.73	3.28	
10502216	4.8	52	86	1	5709131233169	50	10	3.02	3.62	
10502217	4.9	52	86	1	5709131233183	50	10	3.02	3.62	
10502218	5.0	52	86	1	5709131233206	50	10	3.02	3.62	
10502219	5.1	52	86	1	5709131233220	50	10	3.13	3.76	
10502220	5.5	57	93	1	5709131233244	50	10	3.31	3.97	
10502221	6.0	57	93	1	5709131233268	50	10	3.16	3.79	
10502222	6.5	63	101	1	5709131233282	50	10	3.66	4.39	
10502223	7.0	69	109	1	5709131233305	50	10	4.19	5.03	
10502224	7.5	69	109	1	5709131233329	50	10	4.76	5.71	
10502225	8.0	75	117	1	5709131233367	50	10	4.89	5.87	
10502226	8.5	75	117	1	5709131233381	50	10	5.75	6.90	
10502227	9.0	81	125	1	5709131233404	50	10	6.40	7.68	
10502228	9.5	81	125	1	5709131233428	50	10	7.08	8.50	
10502229	10.0	87	133	1	5709131233442	50	10	7.77	9.32	
10502230	11.0	94	142	1	5709131233466	30	10	9.24	11.09	
10502231	12.0	101	151	1	5709131233480	30	10	11.30	13.56	
10502232	13.0	101	151	1	5709131233503	30	10	11.68	14.02	



10502225



HSS COBALT

135° SPLIT POINT GRINDING

INDUSTRIAL QUALITY GROUND FLUTE

COBALT ALLOYED DRILL BIT BODY

DESIGNED FOR DRILLING STAINLESS STEEL



GOLDEN TEMPERED SURFACE FINISH

1. **135° SPLIT POINT GRINDING**
Ensures perfect centering and reduced drilling pressure
2. **INDUSTRIAL QUALITY GROUND FLUTE**
For high accuracy drilling and fast removal of chips
3. **COBALT ALLOYED DRILL BIT BODY**
Manufactured from high quality HSS steel containing 5% Cobalt (Co) – added 5% Cobalt improves the red hardness (heat resistance) and abrasion resistance of the drill bit and results in significantly extended life
4. **GOLDEN TEMPERED SURFACE FINISH**
For increased durability

HSS COBALT DRILL BITS - DIN 338



10502561

ITEM NO.	DIAMETER mm	WORKING LENGTH mm	TOTAL LENGTH mm	PIECE PER PACK	EAN	MASTER PACK	SHELF PACK	LP Ex VAT £ / ITEM	RRP Inc VAT £ / ITEM	DISC CODE
10502507	1.0	12	34	2	5709131282532	200	10	2.01	2.41	PTA A
10502508	1.5	18	40	2	5709131282570	200	10	1.82	2.18	
10502509	2.0	24	49	2	5709131282617	200	10	1.71	2.05	
10502510	2.5	30	57	2	5709131282655	200	10	1.82	2.18	
10502542	3.0	33	61	1	5709131282693	200	10	2.01	2.41	
10502543	3.1	36	65	1	5709131282730	200	10	2.15	2.58	
10502544	3.2	36	65	1	5709131282778	200	10	2.15	2.58	
10502545	3.3	36	65	1	5709131282815	200	10	2.15	2.58	
10502546	3.5	39	70	1	5709131282853	200	10	2.41	2.89	
10502547	4.0	43	75	1	5709131282891	200	10	2.69	3.23	
10502549	4.2	43	75	1	5709131282976	200	10	3.11	3.73	
10502551	4.5	47	80	1	5709131283058	200	10	3.11	3.73	
10502552	4.8	52	86	1	5709131283096	200	10	3.62	4.34	
10502554	5.0	52	86	1	5709131283171	200	10	3.62	4.34	
10502556	5.5	57	93	1	5709131283256	200	10	4.38	5.26	
10502557	6.0	57	93	1	5709131283294	200	10	4.73	5.68	
10502558	6.5	63	101	1	5709131283331	100	10	5.47	6.56	
10502559	7.0	69	109	1	5709131283379	100	10	6.26	7.51	
10502560	7.5	69	109	1	5709131283416	100	10	6.26	7.51	
10502561	8.0	75	117	1	5709131283454	100	10	7.86	9.43	
10502563	9.0	81	125	1	5709131283539	100	10	9.39	11.27	
10502565	10.0	87	133	1	5709131283614	100	10	11.18	13.42	
10502566	11.0	94	142	1	5709131283652	50	10	15.54	18.65	
10502567	12.0	101	151	1	5709131283690	50	10	18.68	22.42	
10502568	13.0	101	151	1	5709131283737	50	10	24.39	29.27	

PTA A

HSS COBALT DRILL BITS - DIN 338 - BULK PACK

ITEM NO.	DIAMETER mm	WORKING LENGTH mm	TOTAL LENGTH mm	PIECE PER PACK	EAN	MASTER PACK	SHELF PACK	LP Ex VAT £ / ITEM	RRP Inc VAT £ / ITEM	DISC CODE
10502511	1.0	12	34	10	5706915000450	50	1	19.13	22.96	PTA A
10502512	1.5	18	40	10	5706915000474	50	1	19.13	22.96	
10502513	2.0	24	49	10	5706915000498	50	1	19.78	23.74	
10502514	2.5	30	57	10	5706915000511	50	1	20.20	24.24	
10502515	3.0	33	61	10	5706915000535	50	1	20.20	24.24	
10502519	3.5	39	70	10	5706915000610	50	1	22.97	27.56	
10502520	4.0	43	75	10	5706915000634	50	1	25.53	30.64	
10502524	4.5	47	80	10	5706915000719	50	1	29.60	35.52	
10502527	5.0	52	86	10	5706915000771	50	1	34.31	41.17	
10502529	5.5	57	93	10	5706915000818	20	1	41.56	49.87	
10502530	6.0	57	93	10	5706915000832	50	1	44.88	53.86	
10502532	7.0	69	109	10	5706915000894	20	1	59.51	71.41	
10502533	7.5	69	109	5	5706915000870	40	1	29.76	35.71	
10502534	8.0	75	117	5	5706915000917	40	1	37.34	44.81	
10502536	9.0	81	125	5	5706915000955	40	1	44.60	53.52	
10502537	9.5	81	125	5	5706915000979	40	1	53.11	63.73	
10502538	10.0	87	133	5	5706915000993	40	1	53.11	63.73	
10502539	11.0	94	142	5	5706915001013	20	1	73.87	88.64	
10502540	12.0	101	151	5	5706915001037	20	1	88.73	106.48	
10502541	13.0	101	151	5	5706915001051	20	1	115.86	139.03	



10502534



HSS TITANIUM



135° SPLIT POINT GRINDING

TITANIUM NITRIDE (TiN) COATED HIGH QUALITY STEEL BODY

LESS HEAT TiN

SPEED AND FEED

INDUSTRIAL GROUND FLUTE

FAST AND PRECISE

- 135° SPLIT POINT GRINDING**
Ensures perfect centering and reduced drilling pressure
- INDUSTRIAL GROUND FLUTE**
For high accuracy drilling and fast removal of chips
- TITANIUM NITRIDE (TiN) COATED HIGH QUALITY STEEL BODY**
Resists heat and friction, providing up to six times longer life than standard metal drill bits*
The TiN coating has a hardness of app. 80 HRC and is very resistant to wear
TiN has a low coefficient of friction. This results in less power being consumed and less heat generated during the drilling
- SPEED AND FEED**
Compared to traditional HSS Twist Drill Bits, speed can be increased by 40 -60% and feed by 10 -20% without reducing the life time of the drill bit significantly
- LESS HEAT**
TiN is also a poor conductor of heat, so the heat generated during the drilling process is diverted into the chips and coolant and less into the drill bit

*Up to 6X longer bit life than black oxide coated bits

ITEM NO.	DIAMETER mm	WORKING LENGTH mm	TOTAL LENGTH mm	PIECE PER PACK	EAN	MASTER PACK	SHELF PACK	LP Ex VAT £ / ITEM	RRP Inc VAT £ / ITEM	DISC CODE
10502572	1.0	12	34	2	5709131282556	200	10	1.02	1.22	
10502573	1.5	18	40	2	5709131282594	200	10	1.02	1.22	
10502574	2.0	24	49	2	5709131282631	200	10	1.17	1.40	
10502575	2.5	30	57	2	5709131282679	200	10	1.28	1.54	
10502576	3.0	33	61	1	5709131282716	200	10	1.28	1.54	
10502577	3.1	36	65	1	5709131282754	200	10	1.37	1.64	
10502578	3.2	36	65	1	5709131282792	200	10	1.37	1.64	
10502579	3.3	36	65	1	5709131282839	200	10	1.37	1.64	
10502580	3.5	39	70	1	5709131282877	200	10	1.37	1.64	
10502581	4.0	43	75	1	5709131282914	200	10	1.57	1.88	
10502582	4.1	43	75	1	5709131282952	200	10	1.64	1.97	
10502583	4.2	43	75	1	5709131282990	200	10	1.64	1.97	
10502584	4.3	47	80	1	5709131283034	200	10	1.64	1.97	
10502585	4.5	47	80	1	5709131283072	200	10	1.64	1.97	
10502586	4.8	52	86	1	5709131283119	200	10	1.78	2.14	
10502587	4.9	52	86	1	5709131283157	200	10	1.78	2.14	
10502588	5.0	52	86	1	5709131283195	200	10	1.78	2.14	
10502589	5.1	52	86	1	5709131283232	200	10	1.93	2.32	
10502590	5.5	57	93	1	5709131283270	200	10	1.93	2.32	
10502591	6.0	57	93	1	5709131283317	200	10	2.05	2.46	
10502592	6.5	63	101	1	5709131283355	100	10	2.31	2.77	
10502593	7.0	69	109	1	5709131283393	100	10	2.55	3.06	
10502594	7.5	69	109	1	5709131283430	100	10	2.81	3.37	
10502595	8.0	75	117	1	5709131283478	100	10	3.44	4.13	
10502596	8.5	75	117	1	5709131283515	100	10	3.63	4.36	
10502597	9.0	81	125	1	5709131283553	100	10	3.97	4.76	
10502598	9.5	81	125	1	5709131283591	100	10	4.22	5.06	
10502599	10.0	87	133	1	5709131283638	100	10	4.74	5.69	
10502600	11.0	94	142	1	5709131283676	50	10	5.31	6.37	
10502601	12.0	101	151	1	5709131283713	50	10	6.15	7.38	
10502602	13.0	101	151	1	5709131283751	50	10	6.81	8.17	

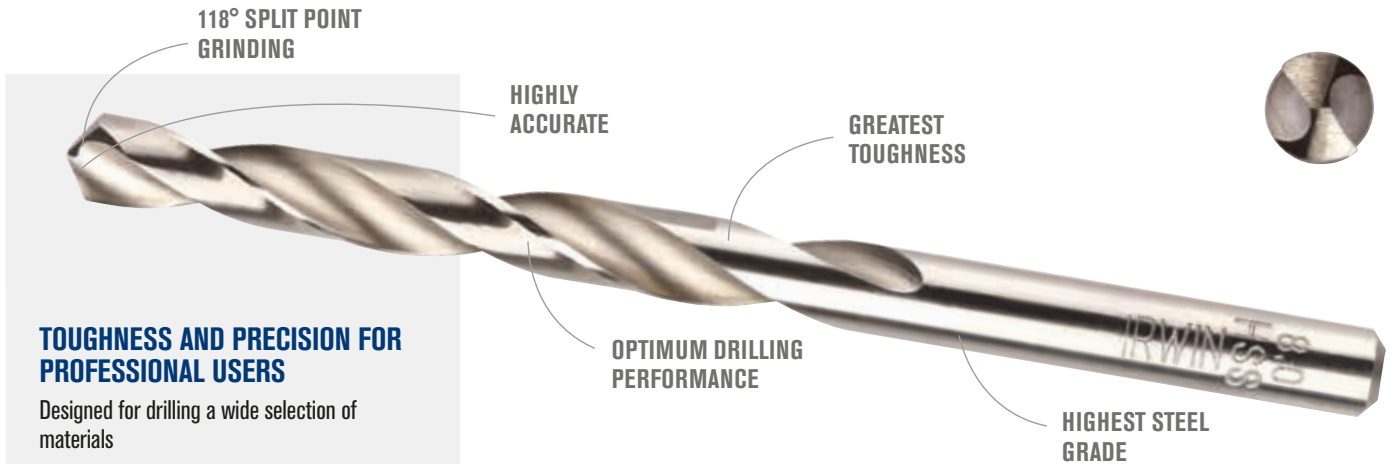


ALSO AVAILABLE IN SETS
SEE PAGE 154

HSS PRO



HSS PRO is an industrial quality twist drill with outstanding performance and long service life. It is designed for drilling steel and steel castings, alloyed and non-alloyed steel, cast iron, non-ferrous metals, plastics and other materials. The 118° split point shape provides an optimum centering when starting and a faster drilling rate. It requires lower feed pressure than standard HSS drill bits with a chisel edge.



TOUGHNESS AND PRECISION FOR PROFESSIONAL USERS

Designed for drilling a wide selection of materials



- 1. 118° SPLIT POINT SHAPE**
With increased performance and very good centering
Precision starting, no need to pre-punch or pilot drill
Penetrates quickly
Requires less effort / feed pressure
- 2. GREATEST TOUGHNESS**
For low risk of breakage even when drilling with smaller diameters due to high elasticity
- 3. OPTIMUM DRILLING PERFORMANCE**
Even in unfavourable working conditions
- 4. HIGHLY ACCURATE**
Close tolerances and high concentricity for maximum precision
- 5. HIGHEST STEEL GRADE**
High-performance, High-Speed Steel

40% MORE HOLES*

*vs previous version

HSS PRO DRILL RANGE

The HSS PRO drill bits are available for a wide array of applications: DIN 338 jobber series, DIN 340 long series, double-ended stub series, DIN 345 Morse taper shank series.

DIN 338		DIN 338 series is suitable for many trade and industrial applications in alloyed and un-alloyed steel, non-ferrous metals, cast iron and plastics.
DIN 340		DIN 340 long series is most suitable for drilling deep holes or through hollow profiles.
Double-Ended		Double-ended series is especially designed for drilling thin materials like sheet metal, flat steel and profiles. Ideal for use with hand-held drills.
DIN 345		DIN 345 Morse taper shank series offers strong standard drill bits for use with stationary drilling machines. Designed for high breakage resistance.

HSS PRO DRILL BITS - DIN 338



MANUFACTURED TO DIN 338 STANDARDS ideal for many trade and industrial applications
118° SPLIT POINT SHAPE for increased performance and very good centering
SURFACE FINISH Polished silver
PACKAGED in skin card up to Ø 13 mm, in Quadro Pack from Ø 13.5 mm and above



ALSO AVAILABLE IN SETS
SEE PAGE 155

10502393

ITEM NO.	DIAMETER mm	WORKING LENGTH mm	TOTAL LENGTH mm	PIECE PER PACK	EAN	MASTER PACK	SHELF PACK	LP Ex VAT £ / ITEM	RRP Inc VAT £ / ITEM	DISC CODE
10502376	1.0	12	34	3	5709131104674	200	10	2.05	2.46	PTA B
10502377	1.5	18	40	3	5709131104865	200	10	2.05	2.46	
10502378	2.0	24	49	3	5709131105084	200	10	2.38	2.86	
10502379	2.5	30	57	3	5709131105251	200	10	2.42	2.90	
10502380	3.0	33	61	3	5709131105466	200	10	2.61	3.13	
10502381	3.2	36	65	2	5709131105589	200	10	2.00	2.40	
10502382	3.3	36	65	2	5709131105657	200	10	2.00	2.40	
10502383	3.5	39	70	2	5709131105732	200	10	2.07	2.48	
10502384	4.0	43	75	2	5709131105930	200	10	2.35	2.82	
1863343	4.1	43	75	2	5706918633433	200	10	2.33	2.80	
10502385	4.2	43	75	2	5709131106050	200	10	2.40	2.88	
10502386	4.5	47	80	2	5709131106166	200	10	2.60	3.12	
1863344	4.8	52	86	2	5706918633440	200	10	2.79	3.35	
10502387	5.0	52	86	2	5709131106371	200	10	2.79	3.35	
1863345	5.1	52	86	1	5706918633457	200	10	1.67	2.00	
1863346	5.2	52	86	1	5706918633464	200	10	1.67	2.00	
10502388	5.5	57	93	1	5709131106555	200	10	1.88	2.26	
10502389	6.0	57	93	1	5709131106753	200	10	2.01	2.41	
10502390	6.5	63	101	1	5709131106944	200	10	2.37	2.84	
10502391	7.0	69	109	1	5709131107101	100	10	2.55	3.06	
10502392	7.5	69	109	1	5709131107279	100	10	2.93	3.52	
10502393	8.0	75	117	1	5709131107477	100	10	3.30	3.96	
10502394	8.5	75	117	1	5709131107668	100	10	3.44	4.13	
10502395	9.0	81	125	1	5709131107842	100	10	3.86	4.63	
10502396	9.5	81	125	1	5709131108016	100	10	4.26	5.11	
10502397	10.0	87	133	1	5709131108207	100	10	4.47	5.36	

HSS PRO DRILL BITS - REDUCED SHANK - DIN 338



ITEM NO.	DIAMETER mm	WORKING LENGTH mm	TOTAL LENGTH mm	PIECE PER PACK	EAN	MASTER PACK	SHELF PACK	LP Ex VAT £ / ITEM	RRP Inc VAT £ / ITEM	DISC CODE
10502398	10.5	87	133	10mm	5709131108429	50	10	6.99	8.39	PTA B
10502399	11.0	94	142	10mm	5709131108597	50	10	7.97	9.56	
10502400	11.5	94	142	10mm	5709131108764	50	10	8.18	9.82	
10502401	12.0	101	151	10mm	5709131108948	50	10	8.70	10.44	
10502402	12.5	101	151	10mm	5709131109099	50	10	8.90	10.68	
10502403	13.0	101	151	10mm	5709131109266	50	10	9.24	11.09	
10502404	13.5	108	160	10mm	5709131109402	50	10	11.47	13.76	
10502405	14.0	108	160	10mm	5709131109471	50	10	12.40	14.88	
10502406	14.5	114	169	10mm	5709131109570	25	5	13.91	16.69	
10502407	15.0	114	169	10mm	5709131109662	25	5	14.63	17.56	
10502408	15.5	120	178	10mm	5709131109730	25	5	17.22	20.66	
10502409	16.0	120	178	10mm	5709131109822	25	5	17.93	21.52	
10502410	16.5	125	184	13mm	5709131109921	25	5	20.56	24.67	
10502411	17.0	125	184	13mm	5709131109990	25	5	21.41	25.69	
10502412	17.5	130	191	13mm	5709131110064	25	5	22.93	27.52	
10502413	18.0	130	191	13mm	5709131110132	25	5	23.69	28.43	
10502414	18.5	135	198	13mm	5709131110200	25	5	25.79	30.95	
10502415	19.0	135	198	13mm	5709131110286	25	5	28.53	34.24	
10502416	19.5	140	205	13mm	5709131110354	25	5	31.04	37.25	
10502417	20.0	140	205	13mm	5709131110439	25	5	32.29	38.75	

METAL DRILLING

HSS PRO DRILL BITS - DIN 338 - BULK PACK



ITEM NO.	DIAMETER mm	WORKING LENGTH mm	TOTAL LENGTH mm	PIECE PER PACK	EAN	MASTER PACK	SHELF PACK	LP Ex VAT £ / ITEM	RRP Inc VAT £ / ITEM	DISC CODE
10502236	0.5	6	22	10	5709131035923	50	1	5.74	6.89	PTA B
10502237	0.6	7	24	10	5709131035954	50	1	5.74	6.89	
10502238	0.7	9	28	10	5709131035978	50	1	5.74	6.89	
10502239	0.8	10	30	10	5709131035992	50	1	5.74	6.89	
10502240	0.9	11	32	10	5709131036012	50	1	5.74	6.89	
10502241	1.0	12	34	10	5709131036043	50	1	6.32	7.58	
10502242	1.1	14	36	10	5709131036098	50	1	6.32	7.58	
10502243	1.2	16	38	10	5709131036128	50	1	6.32	7.58	
10502244	1.3	16	38	10	5709131036159	50	1	6.32	7.58	
10502245	1.4	18	40	10	5709131036180	50	1	6.32	7.58	
10502246	1.5	18	40	10	5709131036210	50	1	6.32	7.58	
10502247	1.6	20	43	10	5709131036272	50	1	6.70	8.04	
10502248	1.7	20	43	10	5709131036302	50	1	6.70	8.04	
10502249	1.8	22	46	10	5709131036326	50	1	6.70	8.04	
10502250	1.9	22	46	10	5709131036357	50	1	6.70	8.04	
10502251	2.0	24	49	10	5709131036401	50	1	7.07	8.48	
10502252	2.1	24	49	10	5709131036463	50	1	7.45	8.94	
10502253	2.2	27	53	10	5709131036487	50	1	7.45	8.94	
10502254	2.3	27	53	10	5709131036517	50	1	7.45	8.94	
10502255	2.4	30	57	10	5709131036548	50	1	7.45	8.94	
10502256	2.5	30	57	10	5709131036562	50	1	7.45	8.94	
10502257	2.6	30	57	10	5709131036623	50	1	7.80	9.36	
10502258	2.7	33	61	10	5709131036654	50	1	7.80	9.36	
10502259	2.8	33	61	10	5709131036685	50	1	8.19	9.83	
10502260	2.9	33	61	10	5709131036708	50	1	8.19	9.83	
10502261	3.0	33	61	10	5709131036746	50	1	7.97	9.56	
10502262	3.1	36	65	10	5709131036814	50	1	8.19	9.83	
10502263	3.2	36	65	10	5709131036852	50	1	8.19	9.83	
10502264	3.3	36	65	10	5709131036906	50	1	8.19	9.83	
10502265	3.4	39	70	10	5709131036944	50	1	9.29	11.15	
10502266	3.5	39	70	10	5709131036968	50	1	9.29	11.15	
10502267	3.6	39	70	10	5709131037033	50	1	9.87	11.84	
10502268	3.7	39	70	10	5709131037057	50	1	9.87	11.84	
10502269	3.8	43	75	10	5709131037071	50	1	10.22	12.26	
10502270	3.9	43	75	10	5709131037095	50	1	10.22	12.26	
10502271	4.0	43	75	10	5709131231202	50	1	10.22	12.26	
10502272	4.1	43	75	10	5709131037200	50	1	11.34	13.61	
10502273	4.2	43	75	10	5709131037231	50	1	11.34	13.61	
10502274	4.3	47	80	10	5709131037262	50	1	11.34	13.61	
10502275	4.4	47	80	10	5709131037293	50	1	11.71	14.05	
10502276	4.5	47	80	10	5709131037316	50	1	11.71	14.05	
10502277	4.6	47	80	10	5709131037378	50	1	11.71	14.05	
10502278	4.7	47	80	10	5709131037392	50	1	13.17	15.80	
10502279	4.8	52	86	10	5709131037439	50	1	13.17	15.80	
10502280	4.9	52	86	10	5709131037460	50	1	13.17	15.80	
10502281	5.0	52	86	10	5709131037491	50	1	13.17	15.80	
10502282	5.1	52	86	10	5709131037569	50	1	14.49	17.39	
10502283	5.2	52	86	10	5709131037606	50	1	14.49	17.39	
10502284	5.3	52	86	10	5709131037620	50	1	15.24	18.29	
10502285	5.4	57	93	10	5709131037644	50	1	15.24	18.29	
10502286	5.5	57	93	10	5709131037668	50	1	16.55	19.86	
10502287	5.6	57	93	10	5709131037729	50	1	17.66	21.19	
10502288	5.7	57	93	10	5709131037743	50	1	17.66	21.19	
10502289	5.8	57	93	10	5709131037774	50	1	17.66	21.19	
10502290	5.9	57	93	10	5709131037798	50	1	17.96	21.55	
10502291	6.0	57	93	10	5709131037835	50	1	18.03	21.64	
10502292	6.1	63	101	10	5709131037903	50	1	19.89	23.87	
10502293	6.2	63	101	10	5709131037934	20	1	19.89	23.87	
10502294	6.3	63	101	10	5709131037958	20	1	19.89	23.87	
10502295	6.4	63	101	10	5709131037989	20	1	20.99	25.19	
10502296	6.5	63	101	10	5709131038016	20	1	20.99	25.19	
10502297	6.6	63	101	10	5709131038061	20	1	21.76	26.11	

HSS PRO DRILL BITS - DIN 338 - BULK PACK

10502311



ITEM NO.	DIAMETER mm	WORKING LENGTH mm	TOTAL LENGTH mm	PIECE PER PACK	EAN	MASTER PACK	SHELF PACK	LP Ex VAT £ / ITEM	RRP Inc VAT £ / ITEM	DISC CODE
10502299	6.8	69	109	10	5709131038115	20	1	23.07	27.68	
10502300	6.9	69	109	10	5709131038139	20	1	23.07	27.68	
10502301	7.0	69	109	10	5709131038153	20	1	23.07	27.68	
10502302	7.1	69	109	5	5709131038207	40	1	12.58	15.10	
10502303	7.2	69	109	5	5709131038238	40	1	12.74	15.29	
10502304	7.3	69	109	5	5709131038269	40	1	13.26	15.91	
10502305	7.4	69	109	5	5709131038283	40	1	13.26	15.91	
10502306	7.5	69	109	5	5709131038306	40	1	13.26	15.91	
10502307	7.6	75	117	5	5709131038368	40	1	13.58	16.30	
10502308	7.7	75	117	5	5709131038382	40	1	13.58	16.30	
10502309	7.8	75	117	5	5709131038405	40	1	14.24	17.09	
10502310	7.9	75	117	5	5709131038429	40	1	14.24	17.09	
10502311	8.0	75	117	5	5709131038474	40	1	14.85	17.82	
10502312	8.1	75	117	5	5709131038559	40	1	14.85	17.82	
10502313	8.2	75	117	5	5709131038580	40	1	15.63	18.76	
10502314	8.3	75	117	5	5709131038603	40	1	15.63	18.76	
10502315	8.4	75	117	5	5709131038634	40	1	17.75	21.30	
10502316	8.5	75	117	5	5709131038658	40	1	15.81	18.97	
10502317	8.6	81	125	5	5709131038702	40	1	17.59	21.11	
10502318	8.7	81	125	5	5709131038733	40	1	17.59	21.11	
10502319	8.8	81	125	5	5709131038764	40	1	17.59	21.11	
10502320	8.9	81	125	5	5709131038788	40	1	17.59	21.11	
10502321	9.0	81	125	5	5709131038818	40	1	18.24	21.89	
10502322	9.1	81	125	5	5709131038863	40	1	18.24	21.89	
10502323	9.2	81	125	5	5709131038894	40	1	18.24	21.89	
10502324	9.3	81	125	5	5709131038917	40	1	18.60	22.32	
10502325	9.4	81	125	5	5709131038931	40	1	18.60	22.32	
10502326	9.5	81	125	5	5709131038962	40	1	20.10	24.12	
10502327	9.6	87	133	5	5709131039020	40	1	20.83	25.00	
10502328	9.7	87	133	5	5709131039051	40	1	20.83	25.00	
10502329	9.8	87	133	5	5709131039075	40	1	20.83	25.00	
10502330	9.9	87	133	5	5709131039099	40	1	20.83	25.00	
10502331	10.0	87	133	5	5709131039129	40	1	20.83	25.00	
10502332	10.1	87	133	5	5709131184638	20	1	24.64	29.57	
10502333	10.2	87	133	5	5709131039211	20	1	24.64	29.57	
10502334	10.3	87	133	5	5709131039242	20	1	24.64	29.57	
10502335	10.4	87	133	5	5709131039273	20	1	24.64	29.57	
10502336	10.5	87	133	5	5709131039297	20	1	25.01	30.01	
10502337	10.6	87	133	5	5709131039365	20	1	26.24	31.49	
10502338	10.7	94	142	5	5709131039389	20	1	26.24	31.49	
10502339	10.8	94	142	5	5709131163114	20	1	26.24	31.49	
10502340	10.9	94	142	5	5709131039419	20	1	26.24	31.49	
10502341	11.0	94	142	5	5709131039433	20	1	27.50	33.00	
10502342	11.1	94	142	5	5709131039501	20	1	30.01	36.01	
10502343	11.2	94	142	5	5709131039525	20	1	30.01	36.01	
10502344	11.3	94	142	5	5709131039549	20	1	30.01	36.01	
10502345	11.4	94	142	5	5709131039563	20	1	30.01	36.01	
10502346	11.5	94	142	5	5709131039587	20	1	30.01	36.01	
10502348	11.7	94	142	5	5709131039679	20	1	33.20	39.84	
10502349	11.8	94	142	5	5709131039686	20	1	33.20	39.84	
10502350	11.9	101	151	5	5709131039709	20	1	33.20	39.84	
10502351	12.0	101	151	5	5709131039723	20	1	33.20	39.84	
10502352	12.1	101	151	5	5709131039792	20	1	33.20	39.84	
10502353	12.2	101	151	5	5709131039822	20	1	33.20	39.84	
10502355	12.4	101	151	5	5709131039853	20	1	33.20	39.84	
10502356	12.5	101	151	5	5709131039877	20	1	34.76	41.71	
10502357	12.6	101	151	5	5709131039921	20	1	36.36	43.63	
10502358	12.7	101	151	5	5709131039945	20	1	36.36	43.63	
10502360	12.9	101	151	5	5709131039990	20	1	36.36	43.63	
10502361	13.0	101	151	5	5709131040002	20	1	36.36	43.63	
10502362	13.5	108	160	5	5709131281085	20	1	42.04	50.45	
10502363	14.0	108	160	1	5709131040163	25	1	13.53	16.24	
10502364	14.5	114	169	1	5709131040200	25	1	16.00	19.20	
10502365	15.0	114	169	1	5709131040262	25	1	18.58	22.30	
10502366	15.5	120	178	1	5709131040316	25	1	19.59	23.51	

PTA B



HSS PRO DRILL BITS - DIN 338 - BULK PACK

ITEM NO.	DIAMETER mm	WORKING LENGTH mm	TOTAL LENGTH mm	PIECE PER PACK	EAN	MASTER PACK	SHELF PACK	LP Ex VAT £ / ITEM	RRP Inc VAT £ / ITEM	DISC CODE
10502367	16.0	120	178	1	5709131040354	25	1	20.76	24.91	PTA B
10502368	16.5	125	184	1	5709131040408	25	1	21.73	26.08	
10502369	17.0	125	184	1	5709131040460	25	1	22.52	27.02	
10502370	17.5	130	191	1	5709131040507	25	1	23.76	28.51	
10502371	18.0	130	191	1	5709131040545	25	1	25.63	30.76	
10502372	18.5	135	198	1	5709131040583	25	1	27.06	32.47	
10502373	19.0	135	198	1	5709131040620	25	1	28.27	33.92	
10502374	19.5	140	205	1	5709131040675	25	1	29.86	35.83	
10502375	20.0	140	205	1	5709131040712	25	1	30.94	37.13	

HSS PRO LONG DRILL BITS - DIN 340



ITEM NO.	DIAMETER mm	WORKING LENGTH mm	TOTAL LENGTH mm	PIECE PER PACK	EAN	MASTER PACK	SHELF PACK	LP Ex VAT £ / ITEM	RRP Inc VAT £ / ITEM	DISC CODE
1863347	3.0	70	110	1	5706918633471	200	10	2.37	2.84	PTA B
1863348	4.0	80	120	1	5706918633488	200	10	2.78	3.34	
1863349	5.0	90	135	1	5706918633495	200	10	3.49	4.19	
1863350	6.0	95	140	1	5706918633501	200	10	4.16	4.99	
1863361	8.0	105	160	1	5706918633617	100	10	6.91	8.29	
1863362	10.0	115	175	1	5706918633624	100	10	8.44	10.13	

MANUFACTURED TO DIN 340 STANDARDS for drilling deep holes or through hollow profiles
118° SPLIT POINT SHAPE for increased performance and very good centering
SURFACE FINISH is polished silver
PACKAGED in skin card

HSS PRO LONG DRILL BITS - DIN 340 - BULK PACK

ITEM NO.	DIAMETER mm	WORKING LENGTH mm	TOTAL LENGTH mm	PIECE PER PACK	EAN	MASTER PACK	SHELF PACK	LP Ex VAT £ / ITEM	RRP Inc VAT £ / ITEM	DISC CODE
10502482	2.0	55	85	10	5709131061755	20	1	29.40	35.28	PTA B
10502483	2.5	65	100	10	5709131041931	20	1	27.36	32.83	
10502484	3.0	70	110	10	5709131041948	20	1	27.36	32.83	
10503855	3.2	70	110	10	5706915938555	20	1	27.30	32.76	
10502485	3.5	80	120	10	5709131041955	20	1	32.73	39.28	
10502486	4.0	80	120	10	5709131041962	20	1	36.08	43.30	
10503856	4.2	80	120	10	5706915938562	20	1	35.77	42.92	
10502487	4.5	85	130	10	5709131041986	20	1	38.68	46.42	
10504418	4.8	87	132	10	5706915944181	20	1	45.51	54.61	
10502488	5.0	90	135	10	5709131041993	20	1	50.03	60.04	
10504420	5.2	91	139	10	5706915944204	20	1	48.65	58.38	
10502489	5.5	95	140	10	5709131042013	20	1	50.76	60.91	
10502490	6.0	95	140	10	5709131042020	20	1	54.33	65.20	
10502491	6.5	100	150	10	5709131111856	20	1	76.22	91.46	
10502492	7.0	100	150	10	5709131042037	20	1	77.54	93.05	
10502493	7.5	105	160	5	5709131061762	20	1	43.56	52.27	
10502494	8.0	105	160	5	5709131042044	20	1	44.69	53.63	
10502495	8.5	105	160	5	5709131111900	20	1	47.67	57.20	
10502496	9.0	110	170	5	5709131061786	20	1	59.40	71.28	
10502497	9.5	115	175	5	5709131061793	20	1	63.25	75.90	
10502498	10.0	115	175	5	5709131042051	20	1	67.52	81.02	
10503858	12.0	134	205	5	5706915938586	20	1	120.07	144.08	

HSS PRO DOUBLE-ENDED DRILL BITS - BULK PACK



ITEM NO.	DIAMETER mm	WORKING LENGTH mm	TOTAL LENGTH mm	PIECE PER PACK	EAN	MASTER PACK	SHELF PACK	LP Ex VAT £ / ITEM	RRP Inc VAT £ / ITEM	DISC CODE
1868262	3.0	11	46	10	5706918682622	50	1	14.17	17.00	PTA B
1868263	3.1	12	49	10	5706918682639	50	1	15.73	18.88	
1868264	3.2	12	49	10	5706918682646	50	1	15.73	18.88	
10502479	3.3	12	49	10	5709131041559	50	1	15.73	18.88	
1868265	3.5	14	52	10	5706918682653	50	1	15.73	18.88	
1868266	4.0	14	56	10	5706918682660	50	1	16.29	19.55	
10502480	4.1	14	56	10	5709131041634	50	1	16.29	19.55	

118° SPLIT POINT SHAPE for increased performance and very good centering
PARTICULARLY SUITED for drilling thin materials, especially for car body work and tubular rivet holes
DOUBLE LIFETIME versus a single end drill bit
ADAPTED DIAMETERS for most common blind rivets
SURFACE FINISH is polished silver
PACKAGED in Quadro Pack

HSS PRO DRILL BITS - DIN 345 - TAPER SHANK



MANUFACTURED TO DIN 345 STANDARDS for use with stationary drilling machines
118° CHISEL POINT SHAPE for maximum service life
MORSE TAPER SHANK DESIGN for high breakage resistance
SURFACE FINISH is black oxide coating for added corrosion resistance
PACKAGED in Quadro Pack



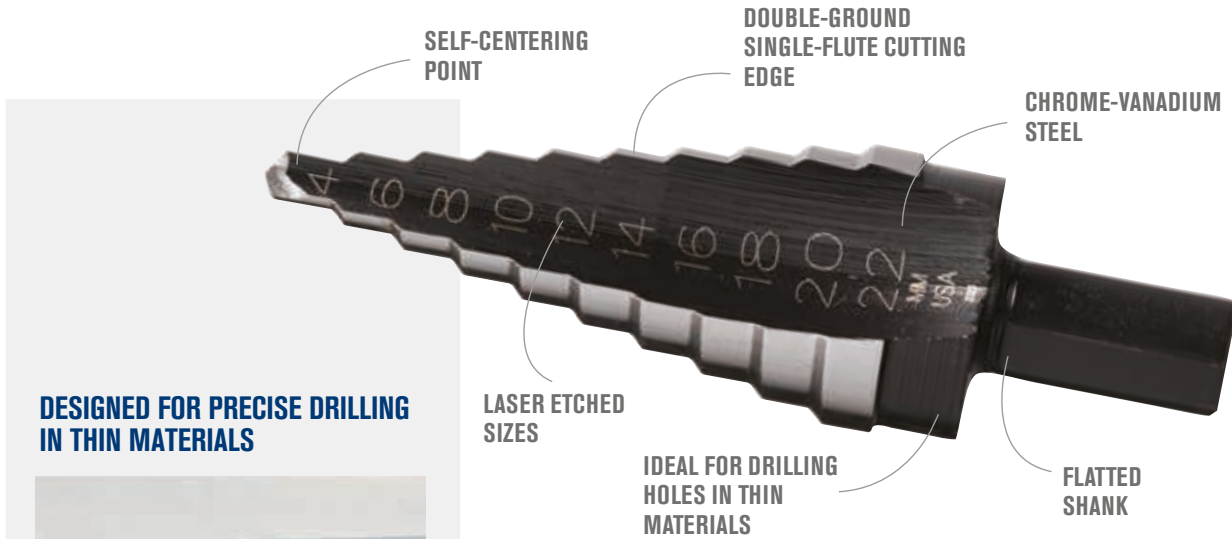
10502434

ITEM NO.	DIAMETER mm	WORKING LENGTH mm	TOTAL LENGTH mm	PIECE PER PACK	SHANK SIZE	EAN	MASTER PACK	SHELF PACK	LP Ex VAT £ / ITEM	RRP Inc VAT £ / ITEM	DISC CODE
10502418	10.0	87	168	5	MK 1	5709131039181	10	1	36.99	44.39	PTA B
10502419	10.5	87	168	5	MK 1	5709131039327	10	1	36.99	44.39	
10502420	11.0	94	175	5	MK 1	5709131039464	10	1	43.52	52.22	
10502422	12.0	101	182	5	MK 1	5709131039754	10	1	46.56	55.87	
10502424	13.0	101	182	5	MK 1	5709131040026	10	1	50.92	61.10	
10502425	13.5	108	189	5	MK 1	5709131040132	10	1	50.92	61.10	
10502426	14.0	108	189	1	MK 1	5709131040170	25	1	10.19	12.23	
10502427	14.5	114	212	1	MK 2	5709131040231	25	1	12.21	14.65	
10502428	15.0	114	212	1	MK 2	5709131040286	25	1	12.21	14.65	
10502429	15.5	120	218	1	MK 2	5709131040323	25	1	12.21	14.65	
10502430	16.0	120	218	1	MK 2	5709131040378	25	1	13.42	16.10	
10502431	16.5	125	223	1	MK 2	5709131040439	25	1	13.53	16.24	
10502432	17.0	125	223	1	MK 2	5709131040477	25	1	13.53	16.24	
10502433	17.5	130	228	1	MK 2	5709131040514	25	1	13.53	16.24	
10502434	18.0	130	228	1	MK 2	5709131040552	25	1	14.17	17.00	
10502435	18.5	135	233	1	MK 2	5709131040590	25	1	14.17	17.00	
10502436	19.0	135	233	1	MK 2	5709131040637	25	1	18.79	22.55	
10502437	19.5	140	238	1	MK 2	5709131040682	25	1	19.99	23.99	
10502438	20.0	140	238	1	MK 2	5709131040729	25	1	19.99	23.99	
10502439	20.5	145	243	1	MK 2	5709131040767	25	1	21.47	25.76	
10502440	21.0	145	243	1	MK 2	5709131040781	25	1	21.47	25.76	
10502441	21.5	150	248	1	MK 2	5709131040804	25	1	21.47	25.76	
10502442	22.0	150	248	1	MK 2	5709131040828	25	1	23.91	28.69	
10502443	22.5	155	253	1	MK 2	5709131040859	25	1	23.91	28.69	
10502444	23.0	155	253	1	MK 2	5709131040873	25	1	23.91	28.69	
10502445	23.5	160	281	1	MK 3	5709131040903	25	1	34.02	40.82	
10502446	24.0	160	281	1	MK 3	5709131040910	25	1	34.02	40.82	
10502447	24.5	160	281	1	MK 3	5709131040927	25	1	34.02	40.82	
10502448	25.0	160	281	1	MK 3	5709131040934	25	1	39.27	47.12	
10502450	26.0	165	286	1	MK 3	5709131040965	25	1	39.27	47.12	
10502451	26.5	165	286	1	MK 3	5709131040972	10	1	39.27	47.12	
10502452	27.0	170	291	1	MK 3	5709131040989	10	1	39.27	47.12	
10502453	27.5	170	291	1	MK 3	5709131040996	10	1	42.69	51.23	
10502454	28.0	170	291	1	MK 3	5709131041009	10	1	42.69	51.23	
10502456	29.0	175	296	1	MK 3	5709131041023	10	1	47.69	57.23	
10502458	30.0	175	296	1	MK 3	5709131041054	10	1	47.69	57.23	
10502460	31.0	180	301	1	MK 3	5709131041078	10	1	52.81	63.37	
10502461	31.5	180	301	1	MK 3	5709131041092	10	1	62.54	75.05	
10502462	32.0	185	334	1	MK 4	5709131041115	10	1	68.29	81.95	
10502464	33.0	185	334	1	MK 4	5709131041139	5	1	74.38	89.26	
10502466	34.0	190	339	1	MK 4	5709131041153	5	1	74.38	89.26	
10502468	35.0	190	339	1	MK 4	5709131041177	5	1	78.04	93.65	
10502470	36.0	195	344	1	MK 4	5709131041207	5	1	78.04	93.65	
10502474	38.0	200	349	1	MK 4	5709131041245	5	1	85.36	102.43	
10502478	40.0	200	349	1	MK 4	5709131041283	5	1	102.43	122.92	

PTA B



STEP DRILLS



DESIGNED FOR PRECISE DRILLING IN THIN MATERIALS



1. **SELF CENTERING POINT**
Will not walk and eliminates the need for centre punching
2. **CHROME-VANADIUM STEEL**
Drill bit body is hardened to 56 HRC for durability
3. **DOUBLE-GROUND SINGLE-FLUTE CUTTING EDGE**
For extra chip capacity, drilling of true, round holes and provides maximum step control
4. **IDEAL FOR DRILLING HOLES IN THIN MATERIALS**
Including mild steel, copper, brass, aluminium, plexiglass, plastic, wood and laminates
5. **FLATTED SHANK**
Prevents the drill bit from slipping in the chuck
6. **LASER ETCHED SIZES**
Inside flute for easy and permanent hole size identification



10502850



10502851



10502852



10502853



10502854



10502855



10502856



10502863



10502864

ITEM NO.	DESCRIPTION	EAN	MASTER PACK	SHELF PACK	LP Ex VAT £ / ITEM	RRP Inc VAT £ / ITEM	DISC CODE
10502850	1M 9 Hole sizes (4mm - 12mm), 1mm increments	0038548111018	5	1	23.88	28.66	PTAB
10502852	3M 7 Hole sizes (6mm - 18mm), 2mm increments	0038548111032	5	1	34.01	40.81	
10502853	4M 10 Hole sizes (4mm - 22mm), 2mm increments	0038548111049	5	1	39.08	46.90	
10502854	5M 13 Hole sizes (5mm - 35mm), 2 - 3mm increments	0038548111056	5	1	70.62	84.74	
10502855	PG29M10 Hole sizes 5, 7.5, 10, 12.5, 15.2, 18.6, 20.4, 22.5, 25.5, 28.3mm	0038548111940	5	1	70.02	84.02	
10502856	29MM 10 Hole sizes 5, 7.5, 10, 13, 16, 19, 21, 23, 26, 29mm	0038548111957	5	1	70.61	84.73	
10502857	ISO/PG13 Hole sizes 5, 7.5, 9.7, 12.7, 15.2, 16.2, 18.6, 20.4, 22.5, 25.4, 28.3, 30.5, 32.5mm	0038548111967	5	1	121.14	145.37	
10502864	21M 8 Hole sizes (20 - 34mm)	0038548112213	5	1	96.77	116.12	



TCT DRILL BITS

Designed for drilling hard and abrasive materials



HSS PRO DRILL BITS - DIN 338

FOUR FACETED GROUND CARBIDE TIP for low drilling pressure and perfect centering
EXTRA DEEP GROUND DOUBLE FLUTES for extra chip capacity
REDUCED FLUTE for body clearance and less friction
CHROME-VANADIUM STEEL BODY is hardened to 56 HRC for durability.
ALWAYS USE COOLANT when drilling with TCT Twist Drill Bits to extend the life time of the drill bit. It is recommended to use a 3-6% emulsion.



10502671

ITEM NO.	DIAMETER mm	WORKING LENGTH mm	TOTAL LENGTH mm	EAN	MASTER PACK	SHELF PACK	LP Ex VAT £ / ITEM	RRP Inc VAT £ / ITEM	DISC CODE
10502618	2.0	24	51	5709131042235	50	10	13.57	16.28	
10502619	2.5	30	57	5709131042372	50	10	13.57	16.28	
10502620	3.0	33	61	5709131042549	50	10	13.57	16.28	
10502621	3.1	39	70	5709131042570	50	10	13.57	16.28	
10502622	3.2	39	70	5709131042617	50	10	13.57	16.28	
10502624	3.3	39	70	5709131042662	50	10	13.57	16.28	
10502626	3.5	39	70	5709131042723	50	10	13.57	16.28	
10502627	3.6	43	75	5709131042761	50	10	13.57	16.28	
10502631	4.0	43	75	5709131042907	50	10	13.57	16.28	
10502633	4.2	47	80	5709131042976	50	10	13.57	16.28	
10502634	4.3	47	80	5709131043010	50	10	13.57	16.28	
10502636	4.5	47	80	5709131043089	50	10	13.57	16.28	
10502641	5.0	52	86	5709131043270	50	10	13.57	16.28	
10502642	5.1	57	93	5709131043324	50	10	13.85	16.62	
10502643	5.2	57	93	5709131043362	50	10	13.85	16.62	
10502644	5.3	57	93	5709131043409	50	10	13.85	16.62	
10502646	5.5	57	93	5709131043461	50	10	13.85	16.62	
10502649	5.8	57	93	5709131043577	50	10	13.85	16.62	
10502651	6.0	57	93	5709131043645	50	10	14.41	17.29	
10502656	6.5	63	101	5709131043829	50	10	15.20	18.24	
10502658	6.7	69	109	5709131043881	50	10	15.20	18.24	
10502659	6.8	69	109	5709131043935	50	10	16.05	19.26	
10502661	7.0	69	109	5709131043980	50	10	16.05	19.26	
10502662	7.1	69	109	5709131044017	50	10	16.05	19.26	
10502666	7.5	69	109	5709131044147	50	10	17.45	20.94	
10502671	8.0	75	117	5709131044307	50	10	18.74	22.49	
10502676	8.5	75	117	5709131044475	50	10	20.30	24.36	
10502680	9.0	81	125	5709131044659	50	10	21.69	26.03	
10502685	9.5	81	125	5709131044772	50	10	20.04	24.05	
10502689	10.0	87	133	5709131044949	50	10	25.12	30.14	
10502690	10.5	87	133	5709131045137	30	10	28.59	34.31	
10502691	11.0	94	142	5709131045274	30	10	29.16	34.99	
10502692	11.5	94	142	5709131045397	30	10	31.63	37.96	
10502693	12.0	101	151	5709131045564	30	10	34.27	41.12	
10502694	12.5	101	151	5709131045700	30	10	36.26	43.51	
10502695	13.0	101	151	5709131045847	30	10	40.06	48.07	
10502696	13.5	108	160	5709131045892	30	10	43.63	52.36	
10502697	14.0	108	160	5709131045922	30	10	47.90	57.48	
10502699	15.0	114	169	5709131045991	15	10	48.18	57.82	
10502701	16.0	120	178	5709131046097	15	5	49.41	59.29	

PTA B